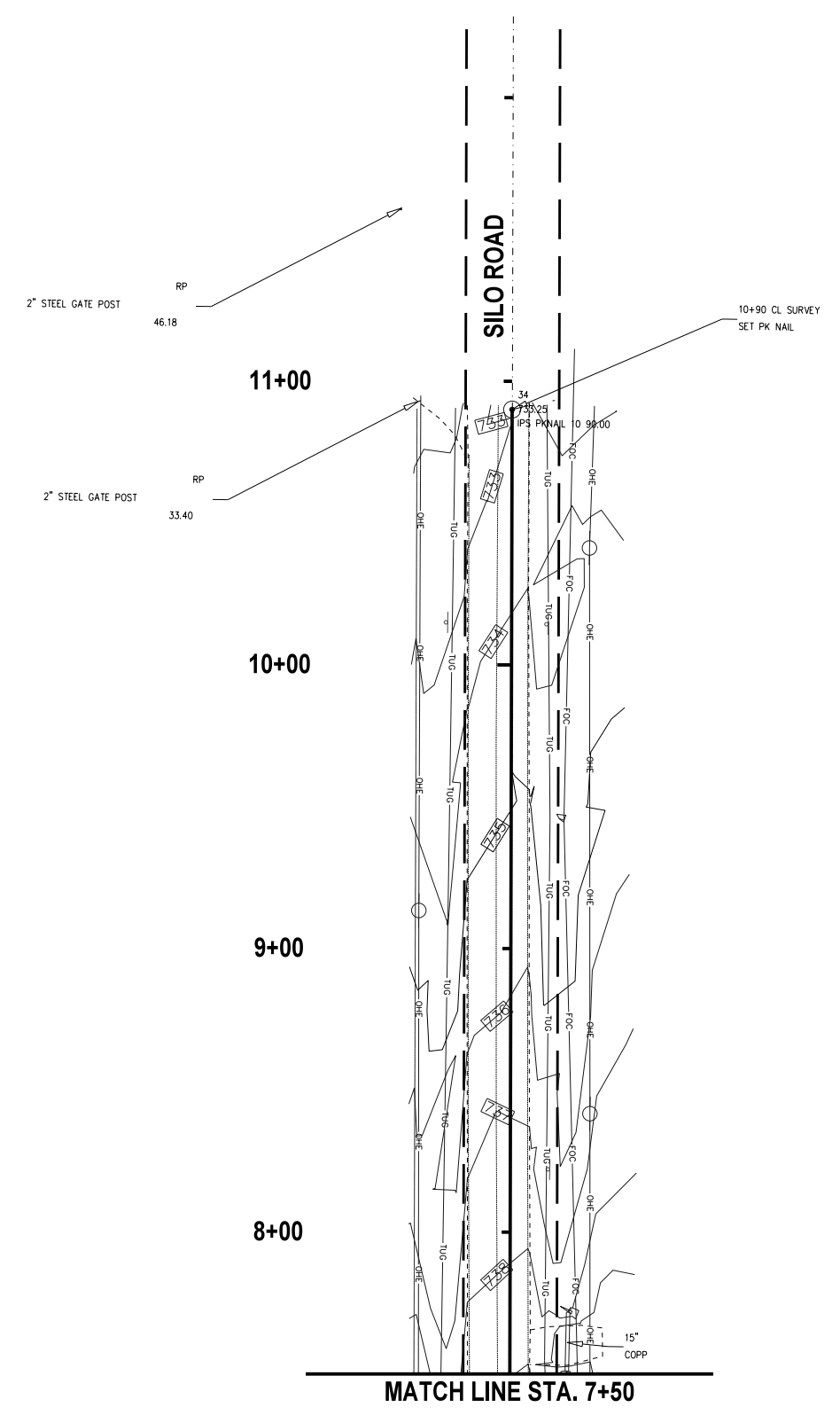
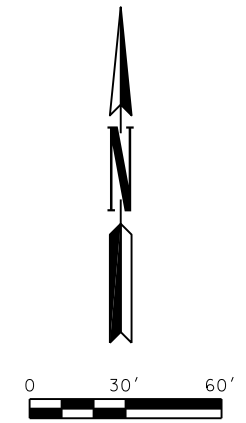


REVISIONS		
NO.	DESCRIPTION	DATE



G:\0\Projects\1-2592 US 70 & Silo Rd Signal - EC185B.Task 3\CAD\3003-3325(04)-SURVEY DATA 3.dgn

HOLLOWAY UPDIKE AND BELLEN  818 E. S. BLVD MUSKOGEE OKLAHOMA 74402 OKLAHOMA C.A. NO. 219 EX-06/2019 PH 918 682 7811	Design	08/11/17	<b>SURVEY DATA</b> <b>(3 OF 3)</b> State Job No. 33251(04) Sheet No. 5003 BRYAN COUNTY
	Drawn	08/11/17	